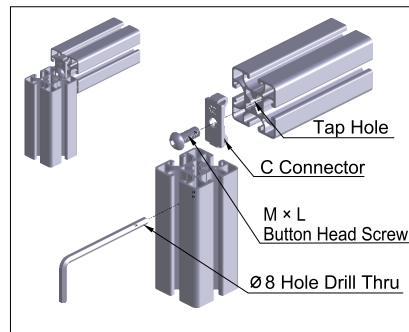
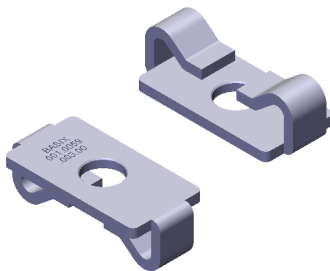
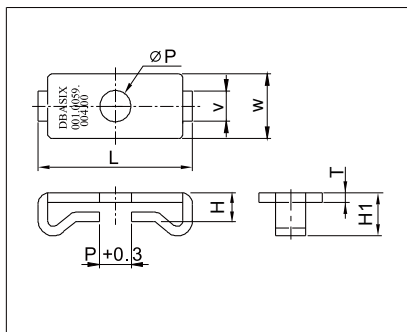


# DBASIX

## P5~P8 Slot C Connector

## C 型固定器



### Application:

To connect two profiles in right-angle also provides high-strength power locking and required minimum processing work.

### 应用:

用于铝型材的直角固定提供在安装过程中需要的或大或小的锁紧力。

| Slot<br>槽型 | Part No<br>型号   | Description<br>内容 | L  | W  | V | $\varnothing P$ | H   | H1   | T   | M x L        | Weight<br>重量 / G | Material / Treatment<br>材料 / 表面处理 |
|------------|-----------------|-------------------|----|----|---|-----------------|-----|------|-----|--------------|------------------|-----------------------------------|
| P5         | 001.0059.001.00 | CC5 20            | 19 | 9  | 5 | 5.2             | 4.0 | 5.6  | 1.2 | M5 x 12L (┘) | 2.20             | ST12 / Bright Zinc-Plated         |
| P6         | 001.0059.002.00 | CC6 30            | 28 | 13 | 6 | 6.2             | 5.7 | 8.5  | 1.5 | M6 x 16L (┘) | 5.91             | ST12 / Bright Zinc-Plated         |
| P8         | 001.0059.003.00 | CC8 40            | 36 | 17 | 8 | 8.2             | 7.6 | 11.3 | 2.0 | M8 x 20L (┘) | 14.70            | ST12 / Bright Zinc-Plated         |
| P8         | 001.0059.004.00 | CC8 45            | 41 | 17 | 8 | 8.2             | 8.0 | 11.3 | 2.5 | M8 x 20L (┘) | 18.57            | ST12 / Bright Zinc-Plated         |