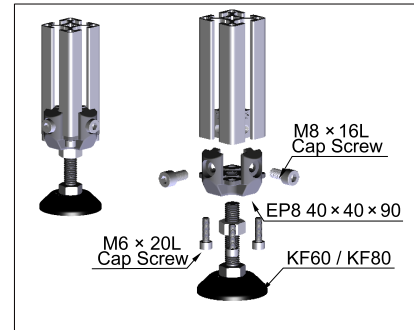
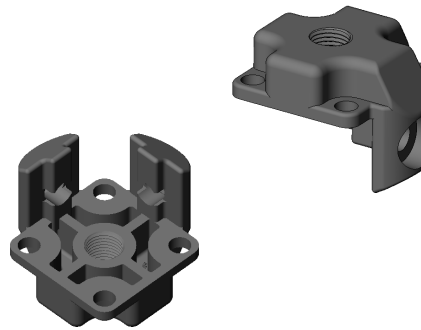
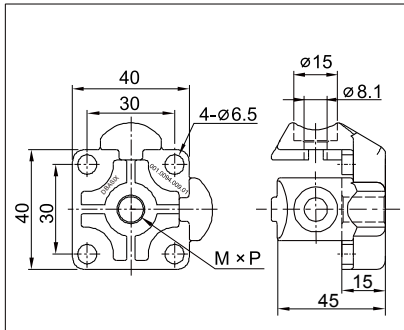


DBASIX

P8 Slot End Plate

衬垫



Application:

To mount knuckle feet, castor wheel, hook or similar component.

应用:

底座辊子吊钩或其它相似构件下的衬垫, 一面可以同铝型材连接.

Slot 槽型	Part No 型号	Description 内容	Thread, M x P 螺纹	Weight 重量 / G	Material / Treatment 材料 / 表面处理
P8	001.0094.009.01	EP8 40 x 40 x 90 x M10	M10 x 1.50	134.62	GD-Zn / E.Coating,Black
P8	001.0094.009.02	EP8 40 x 40 x 90 x M12	M12 x 1.75	131.36	GD-Zn / E.Coating,Black

