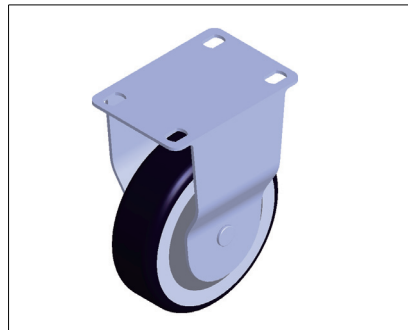
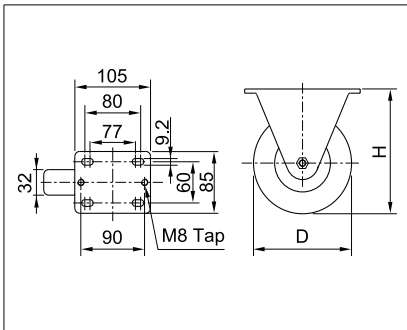


DBASIX

28 OD Pipe Castor Wheel

脚轮



Part No 型号	Description 内容	D × H MM	Load Capacity 极限载荷 / KG	Type 类型	Weight 重量 / KG	Wheel Material 脚轮材质
003.0002.009.01	BPR-100	100 × 133	100	Plate Type	0.77	Rubber
003.0002.009.02	BPU-100	100 × 133	100	Plate Type	0.61	PU
003.0002.009.03	BPRE-100	100 × 133	100	Plate Type	0.69	Rubber - ESD
003.0002.010.01	BPR-125	125 × 158	100	Plate Type	0.98	Rubber
003.0002.010.02	BPU-125	125 × 158	100	Plate Type	0.73	PU
003.0002.010.03	BPRE-125	125 × 158	100	Plate Type	0.88	Rubber - ESD